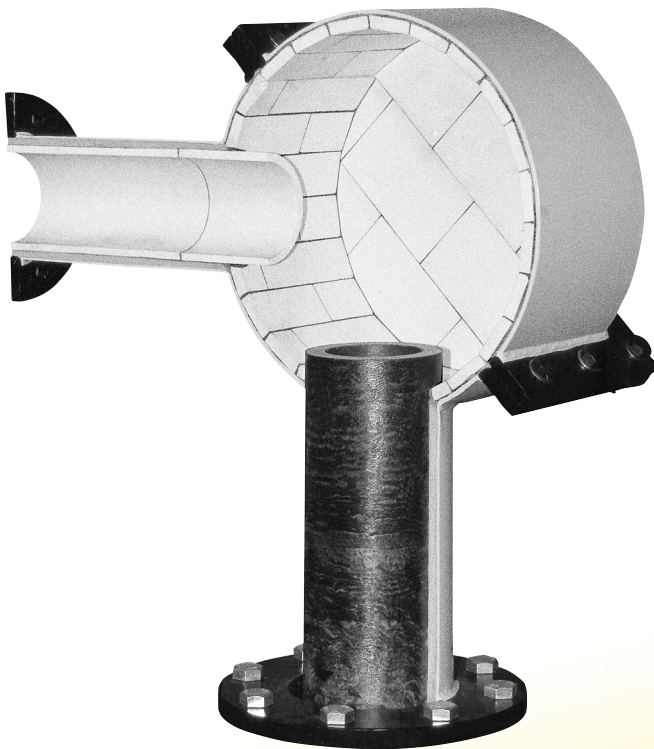


Deviation Requires Thinking in a New Direction ...

## Kalenborn Deviation Pot with Replaceable Ceramic Wear Protection



Compact deviation pots have been successfully installed in pneumatic conveying systems where there is little space for large bend radii. However, an abrupt deviation of the material flow or discontinuous conveying frequently increases wear resulting in operational failures and costly repairs or replacements.

Kalenborn's deviation pot with a wear resistant lining displays a completely different behavior. It withstands the extra stress and permits relining whenever needed. Lining materials normally used include highly wear resistant KALOCER high alumina ceramics and ABRESIST fused cast basalt.

### Kalenborn deviation pots are:

- abrasion resistant
- economical
- easy to install
- reliable
- low in weight

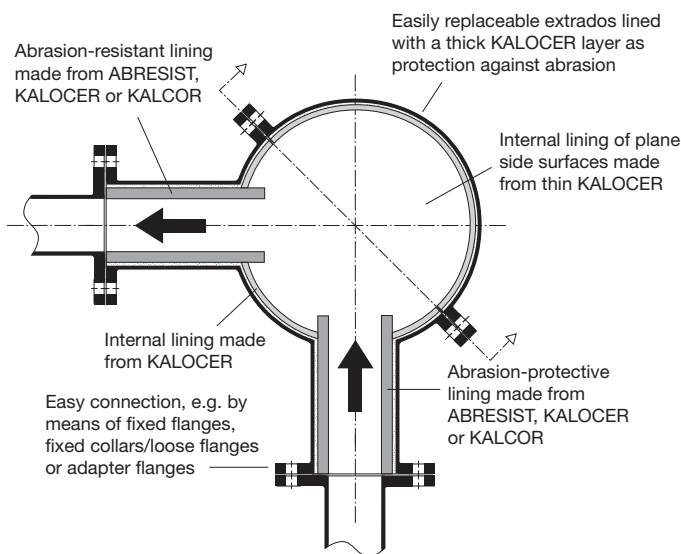
# Extrados Fitted with Ceramic Lining: Premium Choice for Deviation Pots Subject to Wear

The standard version of the Kalenborn's deviation pot has been equipped with a thick lining made from KALOCER high alumina ceramics in the area of impingement attack. The plane side surfaces are given a lining of correspondingly reduced thickness because they are only partially subject to turbulences. Depending on the specific operating conditions, inlets and outlets can be lined with different abrasion resistant materials.

According to the particular duty, deviation pots are exposed to extreme stress in the area of impingement. Therefore, Kalenborn deviation pots allow a cost-effective replacement of the lining. Component design enables a replacement of the extrados lining in a minimum of time. If required, the rest of the pot can be relined at the same time. This means enhanced reliability and economy of the complete conveying system.

**Additional benefits:**

- offered in standard sizes
- available at special dimensions according to the requirements
- customized solutions are feasible, e.g. distribution pots with several outlets
- choice of abrasion protection materials with due regard to the specific stress



**Kalenborn Kalprotect**  
 Phone +49(0) 26 45.18-0  
 Fax +49(0) 26 45.18-112/180 (Export)  
 eMail kalenborn@kalenborn.de  
 Internet www.kalenborn.de

